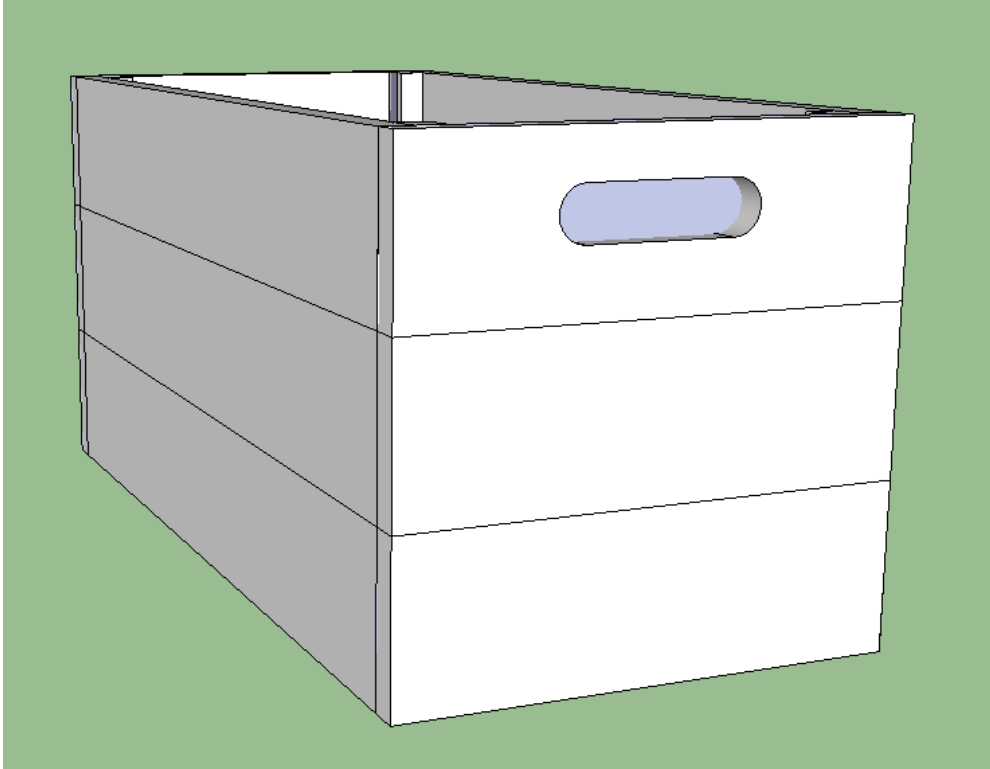


Wooden Crates



Materials list:

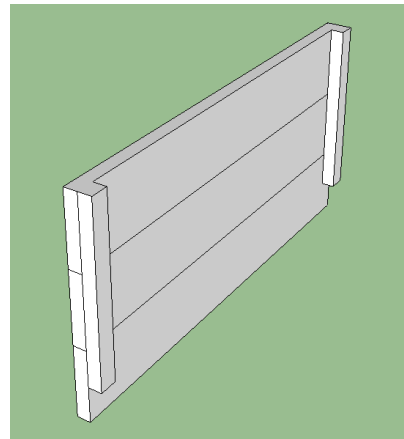
3- 1x4x8 pine boards

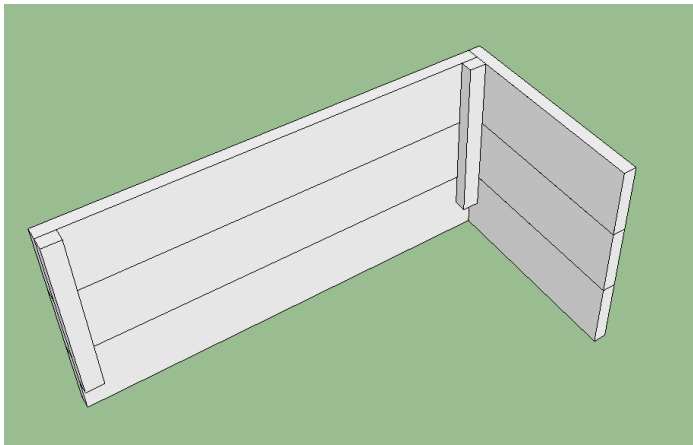
1-1x2x6 pine board

Nails, glue, 7/8" drill bit, scroll saw

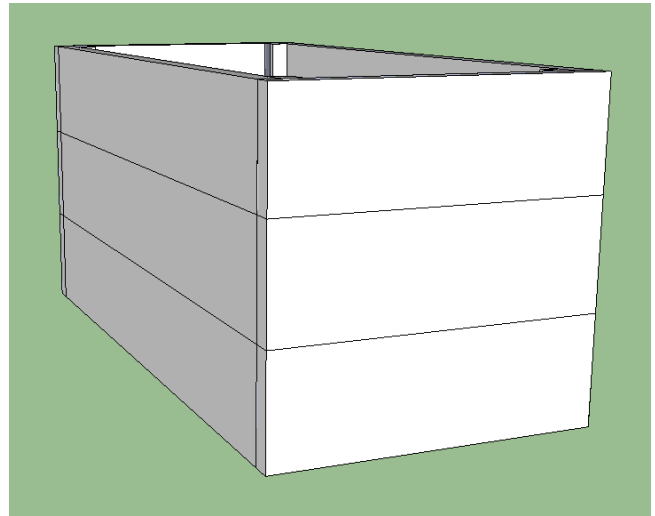
Cut the 1X4 boards into nine 1' 11" lengths and six 1' 1.5" lengths. Cut the 1x2 board into four 9 3/4" and two 11 1/4" lengths. (All dimensions are based on a 3/4" by 3 3/4" nominal sized 1x4 board. If your board is different then you will need to adjust accordingly.)

Attach three of the longer 1x4 sections to two of the 1x2 sections to make the side. Repeat for the second side.

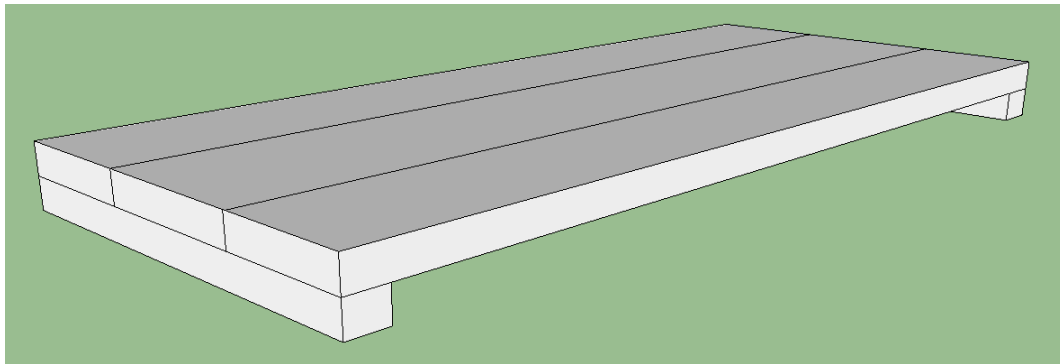




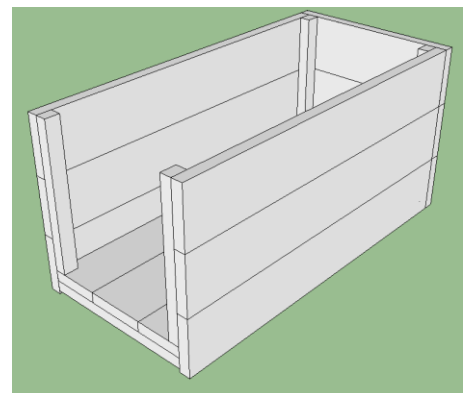
Attach the three shorter 1X4 boards to the ends of the two sides you just made being sure to align the gaps evenly.



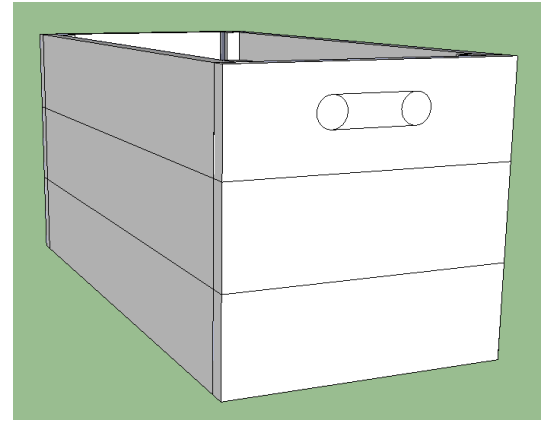
Now that the box is formed you can build the bottom with the remaining three 1X4 boards attaching to the two remaining 1X2 boards.



Now attach the bottom to the sides as it should slide nicely into the bottom of the crate. Be sure to measure prior to building the bottom to ensure it will fit.



To make the handles just drill two holes 3 inches apart and cut between them with the jigsaw. Sand the edges for rounded handles that won't hurt the hands.



Here is the finished product.

